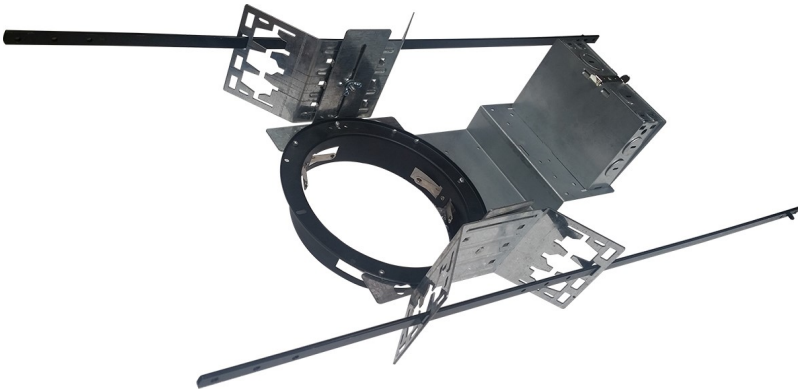


JOB NAME: _____

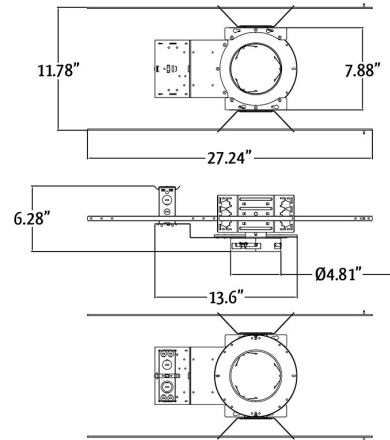
DATE: _____

TYPE: _____



DIMENSIONS:

27.24"(L) x 11.78"(W) x 6.28"(H)



CRL-HSG-4

COMMERCIAL RECESSED LIGHT HOUSING

MODEL	DESCRIPTION
CRL-HSG-4	4" HOUSING FOR COMMERCIAL RECESSED LIGHT

The 4-inch housing fits $\varnothing 4'' \sim \varnothing 4.7''$ mounting frame diameters.

HOUSING SPECIFICATIONS:

- Extruded Aluminum
- Haze finish

